

Appendix E

PARKING AND LOADING AREAS

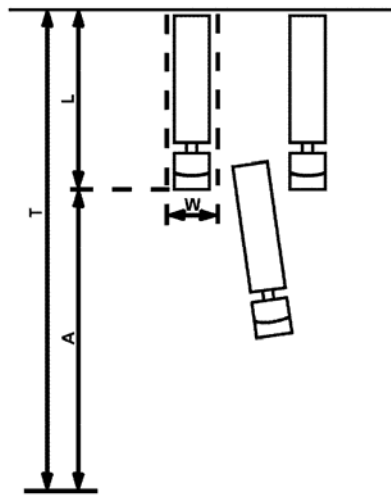
LAST UPDATE: AUGUST 19, 2003

CASE NUMBER: TA030801

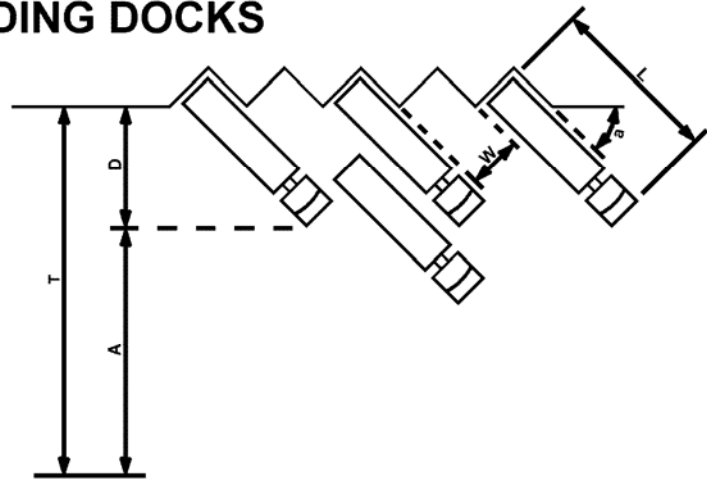
APPENDIX E: PARKING AND LOADING AREAS

Design Vehicle	Length in Feet (L)	Dock Angle (a)	Clearance in Feet (D)	Berth Width in Feet (W)	Apron Space in Feet (A)	Total Offset in Feet (T)
WB-50	55	90	55	10	77	132
				12	72	127
				14	67	122
		60	48	10	55	103
				12	51	99
				14	46	94
		45	39	10	45	84
				12	40	79
				14	37	76

LOADING DOCKS



90-DEGREE DOCKS

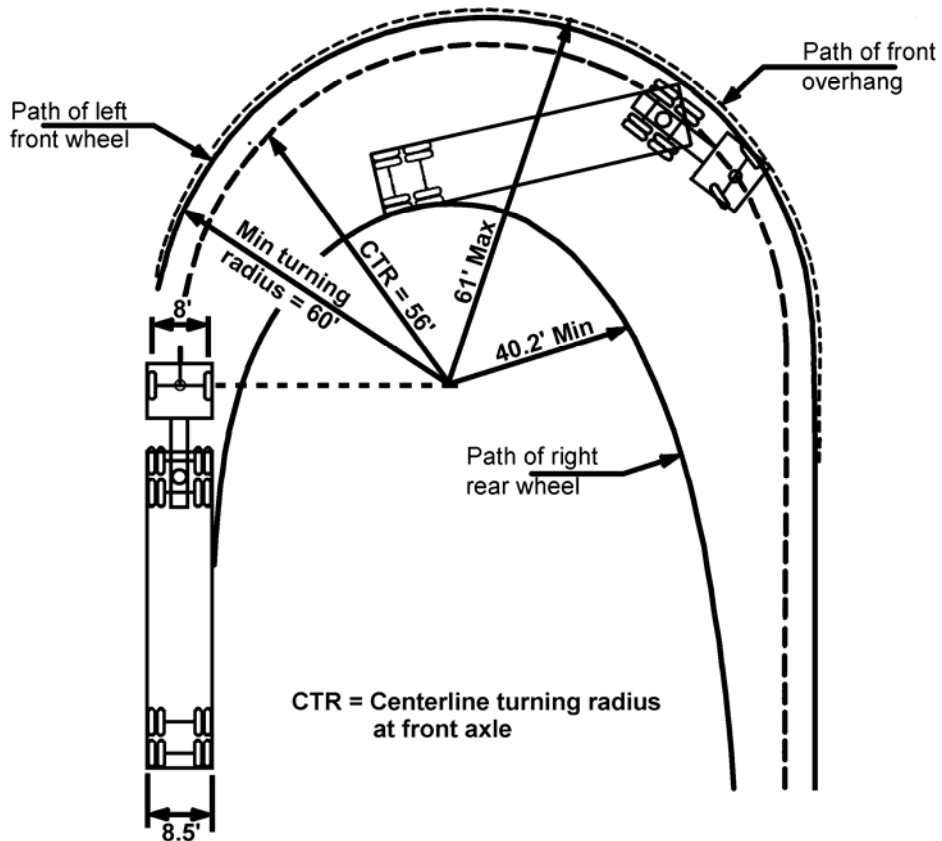
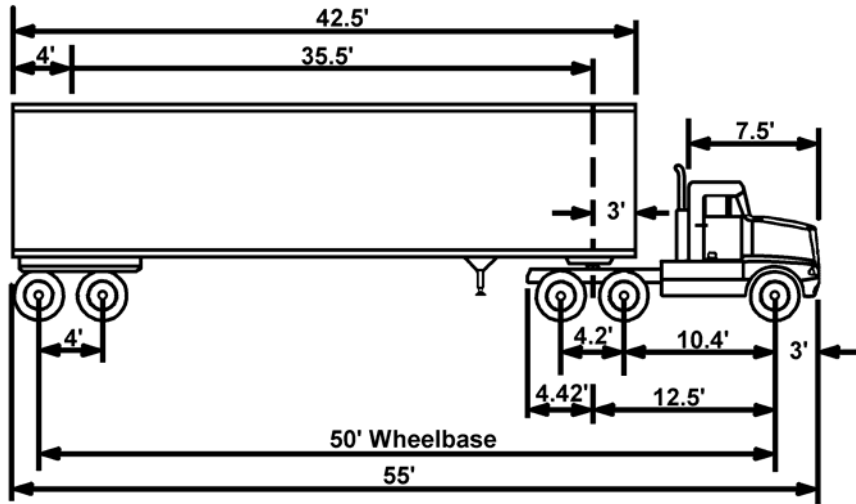


SAWTOOTH DOCKS

APPENDIX E: PARKING AND LOADING AREAS

Design Vehicle (Truck)

WB-50, $R_t = 60'$



E-2

Grand Prairie