

Appendix E

PARKING AND LOADING AREAS

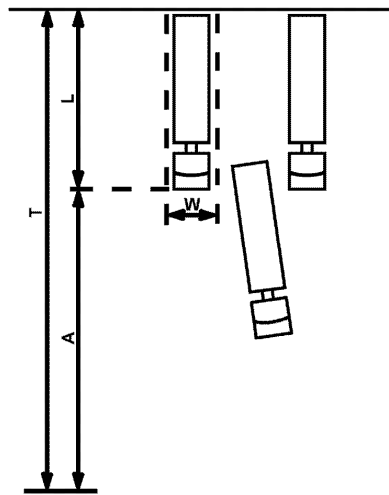
LAST UPDATE: AUGUST 19, 2003

CASE NUMBER: TA030801

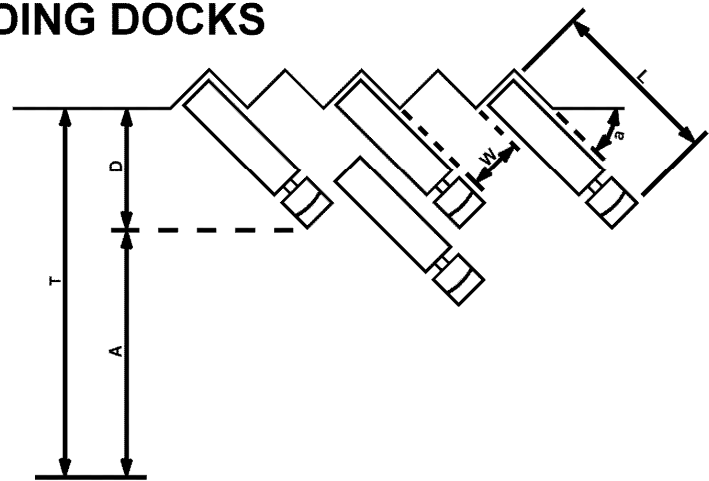
APPENDIX E: PARKING AND LOADING AREAS

Design Vehicle	Length in Feet (L)	Dock Angle (a)	Clearance in Feet (D)	Berth Width in Feet (W)	Apron Space in Feet (A)	Total Offset in Feet (T)				
WB-50	55	90	55	10	77	132				
				12	72	127				
				14	67	122				
		60	48	45	39	10	55	103		
						12	51	99		
						14	46	94		
				60	48	45	39	10	45	84
								12	40	79
								14	37	76

LOADING DOCKS



90-DEGREE DOCKS

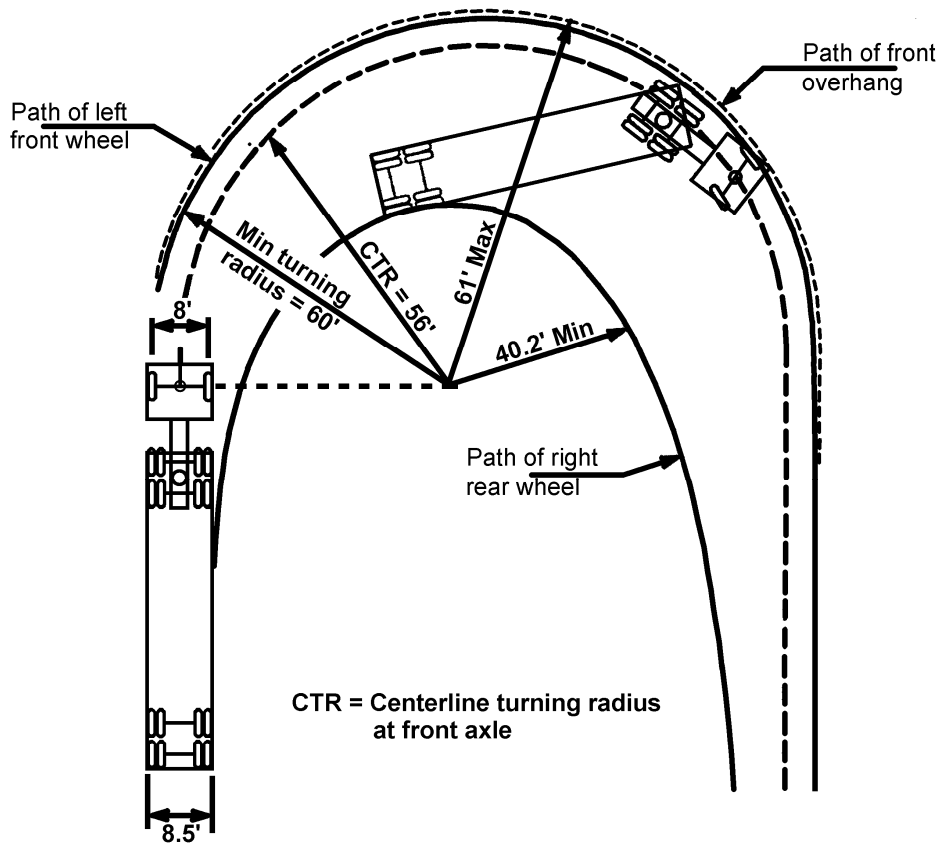
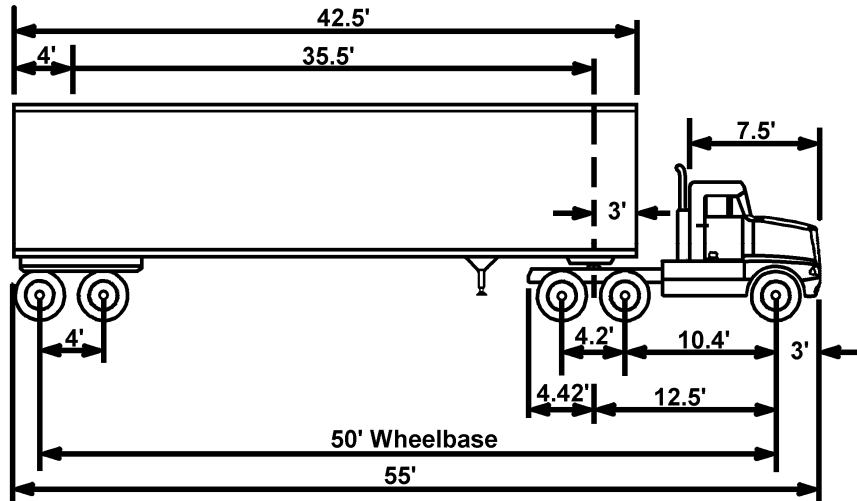


SAWTOOTH DOCKS

APPENDIX E: PARKING AND LOADING AREAS

Design Vehicle (Truck)

WB-50, $R_t = 60'$



E-2

Grand Prairie